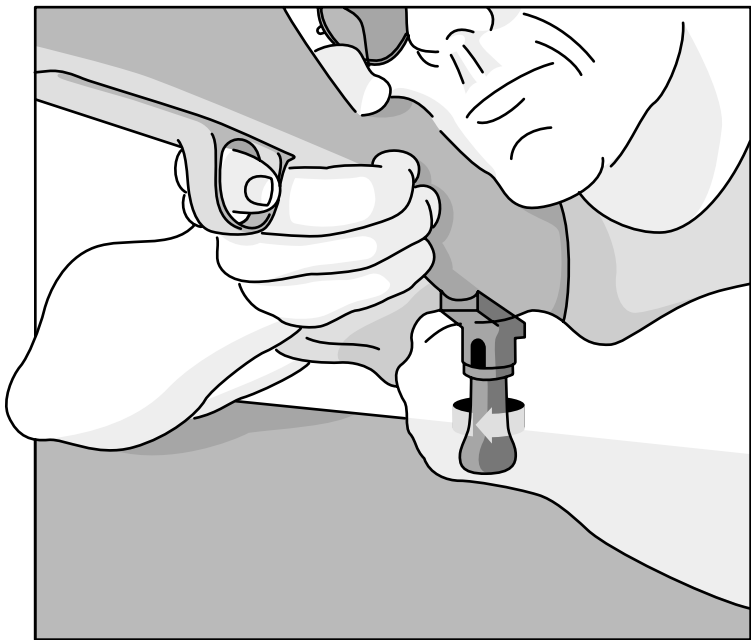

Installing and Using Your

ACCU-SHOT

Precision Monopod



Thank you for purchasing the Accu-Shot™ precision monopod, a bipod assistant for precision rifle shooters. Accu-Shot was tested on a typical industry rifle by firing more than 5,000 rounds of .300 Winchester Magnum. Accu-Shot™ never failed to perform as described. We want your experience with our products to be both satisfying and safe. Please follow these instructions for installing and using Accu-Shot.™

B&T Industries, L.L.C.

Notice

B&T Industries, L.L.C. shall not be responsible for injury, death, or property damage resulting from either intentional or accidental discharge of the firearm to which the Accu-Shot™ precision monopod is attached, from its function when used for purposes and/or subjected to treatment for which it was not designed. B&T Industries L.L.C. will not honor claims involving the use of the Accu-Shot™ precision monopod which result from improper or careless handling, corrosion, unauthorized adjustment, unauthorized parts replacement, or neglect, or any combination thereof.

Caution

CAREFULLY READ THIS INSTRUCTIONAL BOOKLET PRIOR TO ATTACHING THE ACCU-SHOT™ PRECISION MONOPOD TO ANY FIREARM. FOLLOW ALL INSTRUCTIONS ON THE PROPER USE OF THE ACCU-SHOT™ PRECISION MONOPOD.

Safety Warning

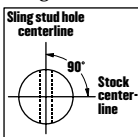
Remember, firearm safety begins with you. Always follow these rules when using the Accu-Shot™ precision monopod.

Lives may depend on it!

1. Always keep firearms pointed in a safe direction.
2. Treat ALL firearms as if they are loaded.
3. Never load any firearm until ready to use.
4. Never point any firearm at anything that you do not want to destroy.

Notice

Sling studs on many rifle stocks are



shipped “finger tight,” and tightening them to a position of 90 degrees to the stock can damage the firearm. To realize the most benefit from Accu-

Shot™ we strongly suggest your sling studs be epoxied into place by a gunsmith, making sure the sling stud is properly aligned at 90 degrees to the stock (see diagram).

Figure 1 – Swivel diagram

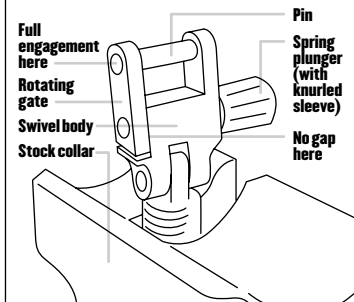
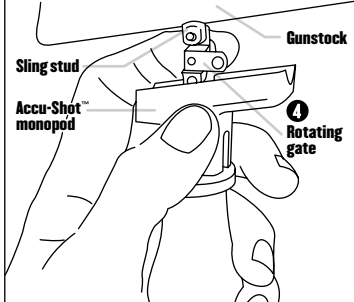


Figure 2 – Attaching Accu-Shot™



Warning

1. When attaching Accu-Shot™'s swivel to a sling stud, make sure the rotating gate is **FULLY ENGAGED** on the pin and there is no gap between the rotating gate and the swivel body (Fig. 2). A **SWIVEL NOT FULLY ENGAGED CAN ACCIDENTALLY BECOME DETACHED FROM ITS BASE.**

2. Each time you use a firearm with a sling, be sure the swivel is **FULLY ENGAGED**. Also, be sure to periodically check the swivel in the field, making certain it is **FULLY ENGAGED**.

3. Brush, tree limbs, or other obstructions can pull at the Accu-Shot™ precision monopod, swivel, sling, carry strap, scope, or the firearm itself. If this happens, always check the swivel **IMMEDIATELY** to be sure it is fully engaged.

4. **NEVER CLIMB A TREE OR FENCE, JUMP OR SCALE DITCHES, ROCKS OR STEEP HILLS WITH A LOADED FIREARM.**

5. **ALWAYS PRACTICE THE RULES OF FIREARM SAFETY.**

Attaching Accu-Shot™ to Firearm

Follow these steps carefully:

1. Loosen actuator knob to full extension. Don't worry, it won't come apart/off.
2. Loosen positioning thumb nut to full extension.
3. Slide actuator rod up through the stock collar, exposing the swivel.
4. Attach swivel to sling stud:
 - a. Unscrew plunger sleeve (pull sleeve to engage threads).
 - b. Press plunger.
 - c. Rotate gate.
 - d. Insert pin into base.
 - e. Rotate gate until pin enters hole in gate, then release plunger.
 - f. Make sure gate **FULLY ENGAGES** pin, leaving no gap between gate and swivel body.
 - g. After gate is in proper position, screw sleeve to closed position.
 - h. The sleeve will turn freely when in the closed position.
 - i. To detach swivel, reverse the above procedure.

Continued on page 4 ►

5. Slide stock collar up against stock, making sure the stock collar toe is positioned towards the muzzle as the swivel slides into its slot.

6. Tighten thumb nut (hand-tight) against stock collar. If dedicating Accu-Shot™ to your rifle, tighten brass-tipped locking set screw with supplied Allen wrench.

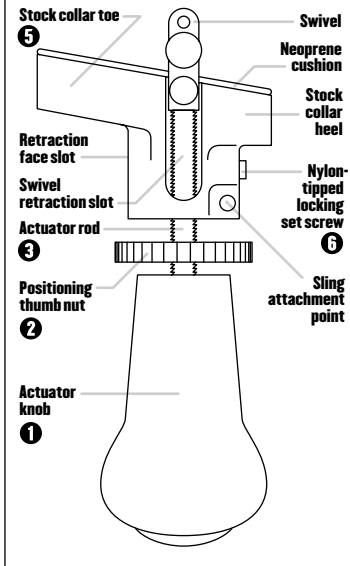
7. Rotate actuator knob up to a midway point on the actuator rod. With your bipod's legs extended, make adjustments to acquire a "rough" sight picture. Now rotate actuator knob for precise target acquisition.

8. To retract, rotate actuator knob away from positioning thumb nut. Loosen thumb nut until it will clear the leading edge of the stock collar's retraction slot, rotating the actuator rod into the retraction slot. Tighten thumb nut against retraction face, followed by the actuator knob. If Accu-Shot™ is not dedicated to the firearm, you must hold stock collar against stock during this rotation of leg.

PLEASE PRACTICE SAFE FIREARMS HANDLING. We make no guarantees that the Accu-Shot™ monopod will improve the accuracy of your rifle, or that Accu-Shot™ is the answer to all situations encountered in the field of precision rifle shooting. We believe that, installed and used properly, Accu-Shot™ will improve your ability to obtain a precise sight picture and to maintain that precision for longer periods with less fatigue.

If you have questions or comments concerning this product, please contact us at the address listed at right.

Figure 3 – Accu-Shot™ diagram



If you have one shot, make it an AccuShot.™

ACCU-SHOT

PRECISION MONOPOD

B&T Industries, L.L.C.,

P.O. Box 771071, Wichita, KS 67277

Telephone (316) 721-3222

Fax (316) 721-1021

Website www.accu-shot.com